

FULL MOTION RECESSED MOUNTS

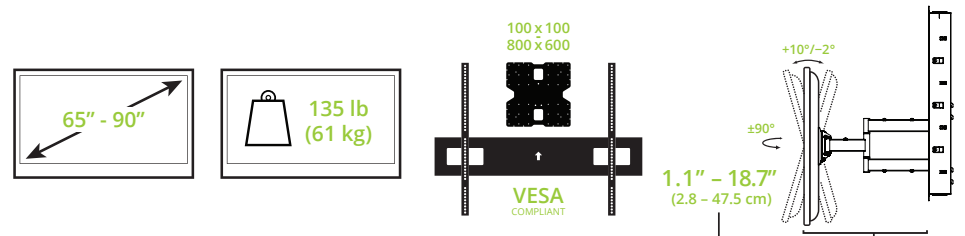
R600

R600 features an oversized in-wall box that allows cable set-top boxes and TV breakout boxes to be stored in the wall on the included accessory plate. Two TV mounting interfaces are provided – one with a no gap profile for TVs with small VESA patterns, and one with support for extra large panels. Metal knockouts allow you to easily run power into the box, while rubber grommets handle all other cabling. Durable metal cable management clips and zip tie mounting points take care of messy cables. The game-changing foldable new-construction box allows contractors to run cabling and install drywall keeping the mount safe and scuff-free in its packaging until the job is complete.



FEATURES & SPECIFICATIONS

- Fits most TVs from 65" to 90"
- Supports TVs up to 135 lb (61 kg)
- Accommodates VESA sizes from 100x100 to 800x600
- 300x300 VESA patterns and smaller sit flush against the wall
- 400x400 VESA patterns and larger sit 1.1" (2.8 cm) from the wall
- Accessible tilt mechanism provides +10° to -2° of tilt
- 90° of swivel in either direction, depending on screen size
- Extends up to 18.7" (47.5 cm) from the wall
- Adjustable horizontal leveling
- In-wall box designed for installation between 16" stud spacing
- Integrated cable management
- Solid steel construction with durable powder coated finish
- Includes manual and all mounting hardware for wood stud
- Ten year manufacturer's warranty
- Shipping box weight: 48.5 lb (22 kg)
- Shipping Box Dimensions: 36.8" x 20.7" x 5.7" (93.5 x 52.5 x 14.5 cm)
- Product Weight: 45.2 lb (20.5 kg)
- UPC: 800152721668

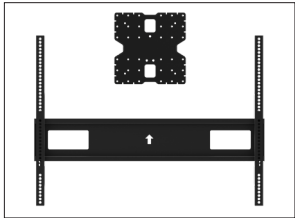


TECHNICAL ILLUSTRATIONS



OVERSIZED BOX

Store bulky TV breakout boxes, mini AV receivers, and cable set-top boxes behind your TV with R600's spacious in-wall box. An accessory plate allows easy access and removal of components for servicing.



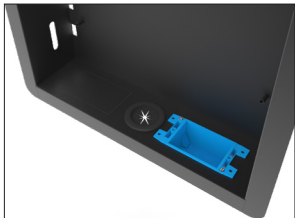
PERFECT PLACEMENT

Get your TV perfectly flush against the wall with the included 300x300 VESA plate, or dial in the perfect height and horizontal offset of your TV with the larger 800x600 interface.



CONTRACTOR FRIENDLY

A foldable, in-wall template for new construction can be temporarily placed between studs letting contractors plan cabling and drywall while the mount sits safely in its packaging until needed.



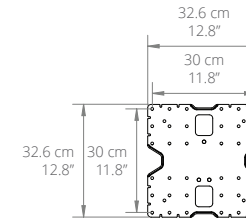
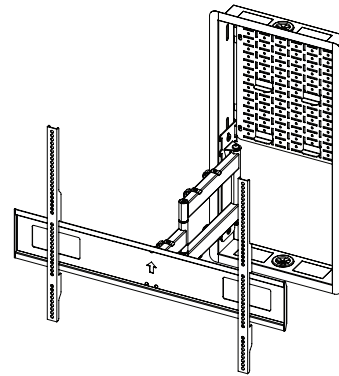
POWER WHERE YOU WANT

Metal knock-outs allow for the installation of power outlets inside the box so you can keep everything needed to power your equipment within the wall.

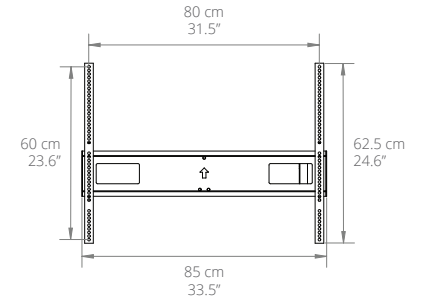


CLEAN CABLING

Metal cable management clips run along the length of the articulating arm while rubber grommets within the box help you to route your cabling without any mess.



VESA INTERFACES



ACCESSORY PANEL

